

**Grain Tank Extensions**



**Maximize Payload - Minimize Time!**

**Features:**

- Fits Case IH, John Deere, Massey Ferguson, New Holland, Gleaner & Cat
- Strongest Extension on the Market
- Adds 80-100 Bushels (depending on model)



PART#	DESCRIPTION	Price	I
HE-#-	Grain Tank Extension for Case IH, John Deere, MF, New Holland & Gleaner	\$1,745.00	
HESTS	Grain Tank Extension for John Deere STS	\$2,040.00	
HECAT	Grain Tank Extension for Cat 400/500 Series	\$2,040.00	
HECIH60	Grain Tank Extension for Case IH 60/66 Series	\$1,745.00	
HERISER66	Riser Kit for HECIH60	\$250.00	

Hydraulics / NH3 / Miscellaneous



**Chaff Spreaders**

**Features:**

- Hydraulic Drive
- Rear Axle Mounted
- Maintenance Free
- Chaff Flow Pans (where needed)
- High Shielding with Over Wash Lips (keeps chaff on disc and creates an air tunnel for longer throw)
- Adjustable Fore and Aft Side Mount for Even Side-to-Side Distribution
- 6" High Steel Disc Blades (deliver more air blast)
- Includes all Mounting Hardware, Hoses, Fittings and Flow(Speed) Control

Close-up of Disc and Fin



PART#	DESCRIPTION	Price	G
CHS1**	Single Chaff Spreader for Case-IH, John Deere, New Holland, Gleaner, & MF	\$1,645.60	
CHS2**	Double Chaff Spreader for Case-IH, John Deere, New Holland, Gleaner, & MF	\$2,161.50	
CHSFIN	Replacement Fins	\$25.30	
CHSM	CharLynn Hydraulic Motor	\$198.00	

Hopper Extensions / Chaff Spreaders

**Hydraulic Motors**



**Char Lynn (Eaton) Hydraulics**

- 4 Bolt Flange
- 2.8 GPM Requirement

PART#	Description	Price	
130-1001	½" EPT Ports Motor	\$198.45	G
130-1005	½" O-Ring Ports Motor	\$198.45	G
60540	Char Lynn Seal Kit	\$36.75	N
22000	Char Lynn 4 Bolt Flange	\$34.36	C
FC51-12R	Flow Control	\$118.00	I

**Hydraulic Cylinders**



PART#	Bore Size	Price
PMH2008-112	2"	\$101.00
PMH2012-112	2"	\$115.00
PMH2016-112	2"	\$125.00
PMH2020-112	2"	\$141.00
PMH2508-112	2 1/2"	\$106.00
PMH2512-112	2 1/2"	\$124.00
PMH2516-125	2 1/2"	\$142.00
PMH2520-125	2 1/2"	\$161.00
PMH2524-125	2 1/2"	\$165.00

PART#	Bore Size	Price
PMH3008-125	3"	\$120.00
PMH3012-125	3"	\$140.00
PMH3016-150	3"	\$160.00
PMH3020-150	3"	\$180.00
PMH4008-137	4"	\$176.00
PMH4012-137	4"	\$189.00
PMH4016-175	4"	\$212.00
PMH4024-175	4"	\$294.00



**RideRite Helper® Air Springs**



Ride-Rite™ air helper springs mount between the frame and the suspension of light-trucks, vans, and motorhomes. The heavy-duty convoluted air springs will handle all leveling needs with load carrying capacities between 3,200-5,000 lbs per set\*.

**Benefits:**

- Level the vehicle front-to-rear & side-to-side
- Adjustability 5-100 p.s.i.
- Stabilize the vehicle while loaded
- Maximize vehicle's load carrying capacity

**CALL FOR PRICING** on your vehicle



**Interested in a personal Bible Study?**  
 Visit <http://www.7stepstogod.org/>



**6006/7 Manifolds**

Continental Manifolds are available in several designs, sizes and number of outlets. All 6006 and 6007 series manifolds have durable ductile iron bodies, 1" FPT inlets are equipped with 1/2" bolt and washer for mounting.

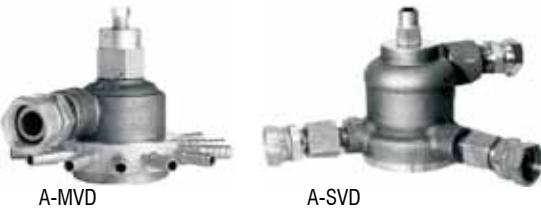


PART#	# of Outlets	Size	Price	N
A-6006B	24	1/4"	\$79.10	
A-6006A	18	1/8"	\$85.71	
A-6007C	24	1/8"	\$166.85	

**Vertical Dam Manifolds**

The A-MVD manifold is made for custom application with the exact number of outlets (3 to 16 for the wheat manifold and 3 to 13 for the corn manifold) thus eliminating the need for plugged opening.

The A-SVD flow divider is designed to work in conjunction with the A-MVD on large tool bars requiring 3, 4 or 5 manifolds.



PART#	Description	Price	N
A-MVD	3-16 Outlet Vertical DAM	\$237.47	
A-SVD-3	3 Way Flow Divider 1"	\$279.06	
A-SVD-4	4 Way Flow Divider 1"	\$279.06	
A-SVD-5	5 Way Flow Divider 1"	\$279.06	
A-2	VD Stand	\$19.76	
A-3	VD FlowDivider Stand	\$19.76	

Hydraulics / NH3 / Miscellaneous

**Manifold Plugs**



PART#	Description	Price	N
A-1135	1/4" MPNT Plug	\$1.00	
A-6315	1/8" MPNT Plug	\$0.94	



Anhydrous (NH3) Components

**Manifold Hose Barsbs**

PART#	Thread Size	Hose Size	Description	Price	N
A-1132	1/4"	3/8"	Plain	\$1.04	
A-1132-2	1/4"	3/8"	With 3/32" Orifice	\$1.15	
A-1138	1/4"	1/2"	Plain	\$1.04	
A-1138-2	1/4"	1/2"	With 3/32" Orifice	\$1.46	
A-6132	1/8"	3/8"	Plain	\$1.04	
A-6132-2	1/8"	3/8"	With 3/32" Orifice	\$1.04	
A-6138	1/8"	1/2"	Plain	\$1.46	
A-6138-2	1/8"	1/2"	With 3/32" Orifice	\$1.46	

**Float Gauges**



- Float gauges manufactured before 1984 (**Junior**) have 2 1/2" bolt circle
- Float gauges manufactured in 1984 or later (**Senior**) have 2 1/32" bolt circle

PART#	Description	Price	N
SR-D	Senior Flat Digital	\$10.40	
SR-J	Junior Flat Digital	\$18.10	

**Pressure Gauges**



PART#	Description	Price	G
ASG60	2 1/2" NH3 Gauge	\$13.44	
ASG160	2 1/2" NH3 Gauge	\$13.44	
ASG400	2 1/2" NH3 Gauge	\$13.44	
ASG604	4" NH3 Gauge	\$26.48	
ASG1604	4" NH3 Gauge	\$26.48	
ASG4004	4" NH3 Gauge	\$26.48	

Also Listed with other Pressure Gauges on Page 33.

**Angle Valves**



- Ideal for nurse tanks and field storage tanks.
- Valves are made of ductile iron and come with 1/4" NPT port to allow for installation of bleeder valve.

PART#	Size	Price	N
AV100	1"	\$133.40	
AV125	1 1/4"	\$264.50	

**Bleeder Valves**



- Used to bleed off trapped NH3 or LPG (liquid or vapor) in hose, valves, couplings, and piping.

PART#	Size	Price	N
C20007	1/4" Bleeder Valve	\$16.80	

**Globe Valves**



PART#	Size	Price	N
GV100	1"	\$126.40	
GV125	1 1/4"	\$227.00	

**Acme Adapter**

- Made from cadmium plated steel for durability and to resist rust and corrosion.
- Acme adapters provide fast smooth engagement with mating connections.



PART#	MPT	OD	Price	N
A524B	1"	1 3/4"	\$22.10	
A524C	1 1/4"	1 3/4"	\$29.10	

**Speed Coupler**

- Made of rugged, lightweight aluminum casting molded around a steel insert for strength and reliability.
- Designed to reduce the undesirable flashing of liquid ammonia when making connections.



PART#	Size	Price	N
SC-1A	1" MPT-1 1/4" Acme	\$69.90	

**Breakaway Couplers**



- Breakaway couplers shut off the flow of NH3 from the nurse tank to the applicator when hitch failure occurs, preventing rupture to the hose.
- **Breakaway couplers require annual maintenance and safety inspections before EACH USE!!** Couplers can corrode and may not operate properly if connected for a long period of time.

PART#	Description	Price	N
4500-6M	1" Coupler Complete w/Acme Adapter	\$349.50	
4510-6	1" Male Tip w/FPT	\$83.10	
4503-7	1" Double Swivel Bracket	\$74.90	
4500-7	1 1/4" Coupler Complete (no Acme Adapter)	\$408.80	
4510-7B	1 1/4" Male Tip Less Acme	\$140.40	
A524C	Adapter - 1 3/4" Male Acme x 1 3/4" MPT	\$28.90	
A524B	Adapter - 1 3/4" Male Acme x 1" MPT	\$22.00	

**Plastic Caps**



PART#	Size	Price	N
DC20170	1 3/4" Plastic Cap With Chain	\$5.50	

**NH3 Hose**



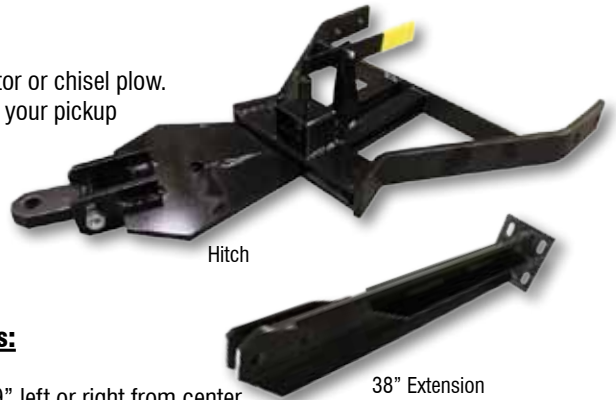
PART#	Description	Price	N
AAH100	1" Bulk NH3 Hose*	\$8.50	
AAH100-3	1" NH3 Hose w/Ends - 3'	\$51.10	
AAH100-5	1" NH3 Hose w/Ends - 5'	\$68.60	
AAH100-10	1" NH3 Hose w/Ends - 10'	\$111.60	
AAH100-12	1" NH3 Hose w/Ends - 12'	\$129.50	
AAH100-15	1" NH3 Hose w/Ends - 15'	\$156.00	
AAH125	1 1/4" Bulk NH3 Hose*	\$27.10	
AAH125-15	1 1/4" NH3 Hose w/Ends - 15'	\$329.20	
AAH125-24	1 1/4" NH3 Hose w/Ends - 24'	\$347.90	
AAH125-30	1 1/4" NH3 Hose w/Ends - 30'	\$422.80	

Hydraulics / NH3 / Miscellaneous

Anhydrous (NH3) Components

**Ray-Mac Style Hitch** **F/S** Manufacturing Inc

- Rugged, Heavy-duty hitch clamps to the rear frame member of your cultivator or chisel plow.
- This hitch is ideally suited for towing anhydrous ammonia trailers or towing your pickup when moving implements.
- Designed to eliminate excessive maneuvering when attempting to hook up auxiliary implements.
- Hitch is manufactured of heavy bar and plate to take shock and abuse and fits frame sizes from 2 1/2" to 6" square.

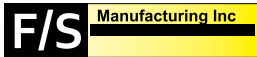


PART#	Description	Price	I
HITCH	Ray-Mac Hitch	\$271.00	
EXT13	Adds 13" (Total 45")	\$102.00	
EXT28	Adds 28" (Total 60")	\$152.00	
EXT38	Adds 38" (Total 70")	\$180.00	

**Hookup Procedures:**

- Release lock pin
- Extend hitch up to 9" left or right from center.
- Attach trailer tongue with draw pin
- Back up cultivator to automatically lock return hitch to rigid, locked position.

**NH3 Conversion Tubes / Insulators**



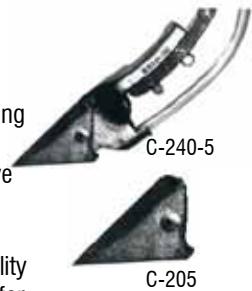
- Mounts behind the shank. Unique cone shaped outlet minimizes plugging.
- For chisel plows and field cultivators.
- Available in 3/8" and 1/2" tubes.



PART#	Description	Price	G
CPI	3/8" Tube for Chisel Plow	\$8.15	
FCI	3/8" Tube for Field Cultivator	\$8.15	
CPI-1	1/2" Tube for Chisel Plow/Cultivator	\$8.15	
FSI	Insulator for CPI and FCI	\$5.25	

**Lange C-240 Knife**

- Self-locking recessed bolt holes reduce bolt head wear.
- Provides superior sealing by forcing dirt back into the slot.
- Universal hose adapter will receive either 3/8" or 1/2" NH3 hose.
- The replaceable tip, in addition to having excellent wear and durability characteristics, can be changed for considerably less than the cost of a throw-away knife.



PART#	Description	Price	N
C-240-5	Lange C-240 Knife	\$50.00	
C-205	Replacement Tip	\$26.00	

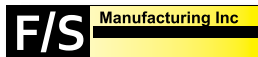


**Nitrile/NH3 Gloves**

PART#	DESCRIPTION	Price	N
GLOVENIT	Nitrile Gloves - Lined	\$3.20	
GLOVENU	Nitrile Gloves - Unlined	\$2.99	
GLOVENH3	Anhydrous Ammonia Gloves	\$5.20	

**Need More Safety Equipment?** Call us for pricing on goggles, masks, coveralls and more!

**Windsock**



- 8" Diameter Rip Stop Nylon
- 30" Length
- Orange Color

PART#	Price	I
WS	\$65.00	

**Field Marker Flags**



**FMF Features:**

- Hot Pink for Superior Viability
- 5" x 8" Flag on 35" Wire
- Heavy, Fade Resistant Plastic
- 100 Per bundle

**FM-AXF8 Features:**

- Bright Orange, UV Treated (Fade Resistant)
- Large 8" x 10" Flag on 8' Tall Fiberglass Pole
- 5" Reflective Tape Beneath Flag

PART#	Qty	Price	M
FMF	100	\$27.00	
FM-AXF8	1	\$6.65	

**Wind Meters**



**WM Features:**

- Ideal for yachtsmen, outdoorsmen, farmers, etc. Use anywhere! Direct reading, no calculations!
- Meter has two scales for maximum accuracy and easy reading. Low 2-10 and High 2-66 mph range.
- Pocket size, sturdy plastic, and has case.

**MW-1 Features:**

- Measure wind speed and temperature with the series MW Pocket Wind Meter.
- Easily review readings on the four digit 2" (51mm) high LCD display with wind speed bar graph.
- Selectable air velocity ranges include m/s, ft/min, km/h, mph, and knots.
- Ambient temperature records in F and C.
- Automatic shut-off
- Includes plastic water resistant housing and it floats.
- Includes a lanyard.



PART#	Price	I
WM	\$22.75	
MW-1	\$59.75	

**The Ten Commandments**

**Exodus 20:1-17**



	And God spake all these words, saying, I am the LORD thy God, which have brought thee out of the land of Egypt, out of the house of bondage.
<b>Commandment 1</b>	<b>Thou shalt have no other gods before me.</b>
<b>Commandment 2</b>	<b>Thou shalt not make unto thee any graven image, or any likeness of any thing that is in heaven above, or that is in the earth beneath, or that is in the water under the earth.</b> Thou shalt not bow down thyself to them, nor serve them: for I the LORD thy God am a jealous God, visiting the iniquity of the fathers upon the children unto the third and fourth generation of them that hate me; And shewing mercy unto thousands of them that love me, and keep my commandments.
<b>Commandment 3</b>	<b>Thou shalt not take the name of the LORD thy God in vain;</b> for the LORD will not hold him guiltless that taketh his name in vain.
<b>Commandment 4</b>	<b>Remember the sabbath day, to keep it holy.</b> Six days shalt thou labour, and do all thy work: But the seventh day is the sabbath of the LORD thy God: in it thou shalt not do any work, thou, nor thy son, nor thy daughter, thy manservant, nor thy maidservant, nor thy cattle, nor thy stranger that is within thy gates: For in six days the LORD made heaven and earth, the sea, and all that in them is, and rested the seventh day: wherefore the LORD blessed the sabbath day, and hallowed it.
<b>Commandment 5</b>	<b>Honour thy father and thy mother: that thy days may be long upon the land which the LORD thy God giveth thee.</b>
<b>Commandment 6</b>	<b>Thou shalt not kill.</b>
<b>Commandment 7</b>	<b>Thou shalt not commit adultery.</b>
<b>Commandment 8</b>	<b>Thou shalt not steal.</b>
<b>Commandment 9</b>	<b>Thou shalt not bear false witness against thy neighbour.</b>
<b>Commandment 10</b>	<b>Thou shalt not covet thy neighbour's house, thou shalt not covet thy neighbour's wife, nor his manservant, nor his maidservant, nor his ox, nor his ass, nor any thing that is thy neighbour's.</b>